

FS20

FLOW SWITCH FS20 FS20R & FS20 Din Weather Proof FS20X – Explosion Proof



FS-20R

Technical Data

Size: From 1/2" to 1"
Service: For "Non-corrosive" liquid fluid available

**In general, We DON't recommend using FS20 for the seawater application! But, if it is necessary, please let us know, we can customize the special magnet with lining to match up!*

Material: Wetted parts 316 stainless steel
Temperature Limit: -20 to 150°C
Pressure Limit: 7.0 MPa (70 kg/cm²)
Enclosure Housing: FS20R- Weather proof
 FS20 Din- Weather proof
 FS20X- Explosion proof
Switch Function: SPDT micro switch
Switch Rating: 3A/250VAC, 3A/30VDC, 0.4A/125VDC
Conduit Connection: Female 1/2", 3/4" G, NPT, and M20xP1.5 or M25xP1.5 available

Patent No.

M290238

Approvals:



CAUTION.

If using the FS20 for the Emergency Shower, please contact with the manufacturer at the first!!

WWW.NEW-FLOW.COM • TEL: 886-7-8135500 • FAX: 886-7-8225588 • Email: info@new-flow.com

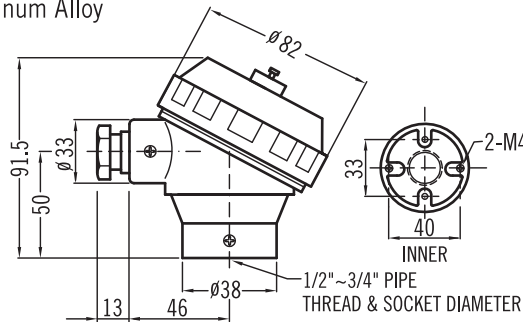


FS-20 DIN

Head Type

FS20R – Weather Proof IP68

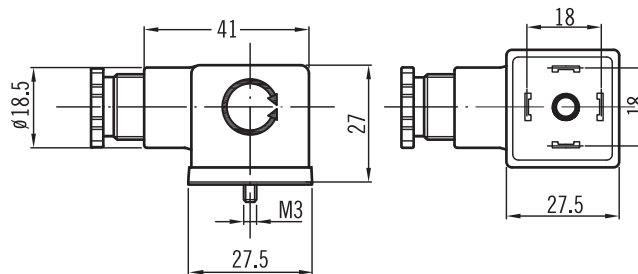
Material: Aluminum Alloy



unit=mm

FS20 Din – Weather Proof IP65

Material: Thermoplastic Rubber
Cable Gland: PG9
Connector: DIN43650

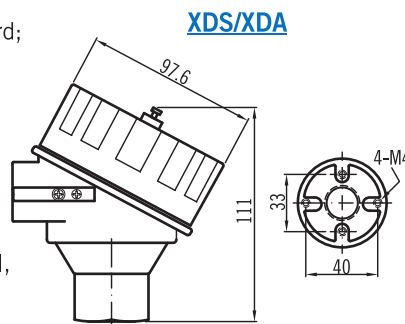


unit=mm

FS20X – Explosion Proof

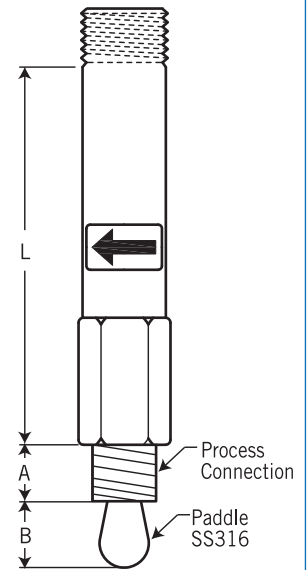
Material: Aluminum Alloy- standard;
 SS316 available
ATEX Approvals: II 2G D
 Ex db IIC Gb
 Ex tb IIIC Db

FM Approvals: XP/II/1/ABCD/T6;
 DIP/II, III/1/EFG/T6; Type 4X,
 Explosion proof for Class I,
 Division 1, Groups A,B,C and D;
 and dust-ignition proof for class II,
 III, Division 1, Groups E,F and G,
 hazardous (classified) locations;
 indoor/outdoor (NEMA Type 4X).



unit=mm

Dimensions

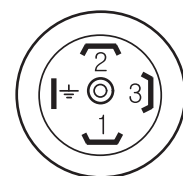
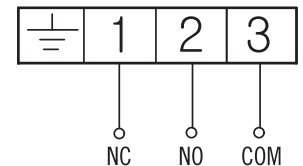


Size	L	A	B
1/2"	90	19	27
3/4"	90	20	32
1"	90	21	42

unit=mm

Connection Diagram

3-Wire



DIN

