

DIRTMAGMINI® composite under-boiler dirt separator and strainer with magnet

series 5450



01348/21 EN

replaces 01348/18 EN



Function

DIRTMAGMINI® dirt separator strainers separate the impurities in air conditioning systems to protect the boiler circulator and heat exchanger.

The removable magnet captures the ferromagnetic impurities, while the mesh strainer and dirt separator capture the remaining impurities.

Due to their compact size, these dirt separator strainers are specifically for installation under wall-mounted boilers even in small spaces.

The special inlet layout allows for vertical or horizontal installation, with angled or in-line connections as required.

PATENT PENDING

Gamma prodotti

Code 545000 DIRTMAGMINI® composite under-boiler dirt separator and strainer with magnet _____ 3/4" M x 3/4" F
 Code 545022 DIRTMAGMINI® composite under-boiler dirt separator and strainer with magnet and ball valves _____ Ø 22

Technical specifications

Materials

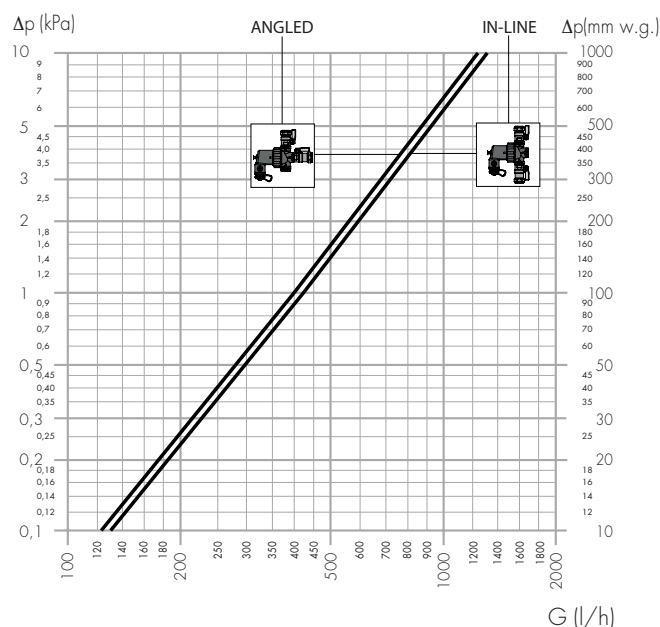
Body: PA66G30
 Internal filter element: POM /stainless steel EN 10088-2 (AISI 304)
 Fittings: brass EN 12165 CW617N
 Hydraulic seals: EPDM
 Drain cock with hose connection: brass EN 12164 CW614N,
 Ball valves: brass EN 12165 CW617N (code 545022)

Connections:
 air vent: 3/4" M ISO 228-1 with plug
 boiler side: 3/4" F ISO 228-1 captive nut (code 545000)
 Ø 22 (code 545022)
 system return side: 3/4" M ISO 228-1 (code 545000)
 Ø 22 (code 545022)

Performance

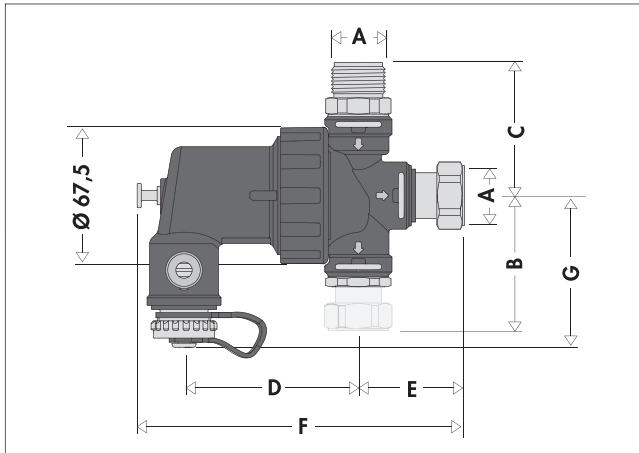
Fluids: water, non-hazardous glycol solutions
 Maximum percentage of glycol: 30 %
 Maximum working pressure: 3 bar
 Working temperature range: 0–90 °C
 Strainer mesh size: 800 µm
 Magnetic induction of magnet: 1,3 T

Hydraulic characteristics

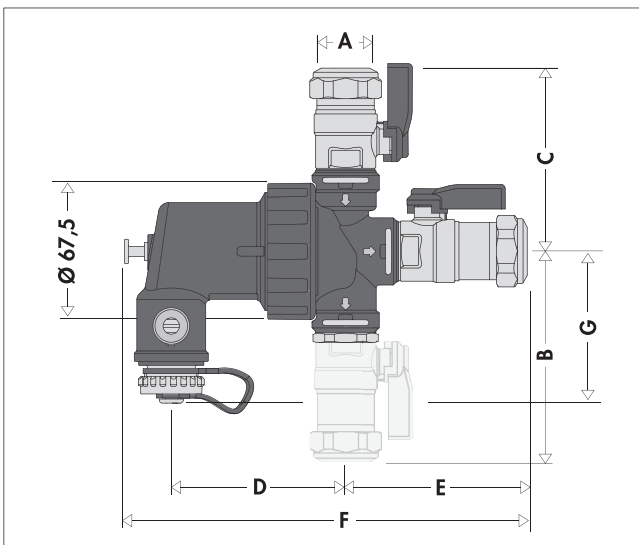


Kv (m³/h) with in-line configuration = 4,2
 Kv (m³/h) with angled configuration = 3,9
 Maximum recommended flow rate = 1,3 m³/h

Dimensions



Code	A	B	C	D	E	F	G	Mass (kg)
545000	3/4"	65	65	85,5	52	160,5	74,5	0,7

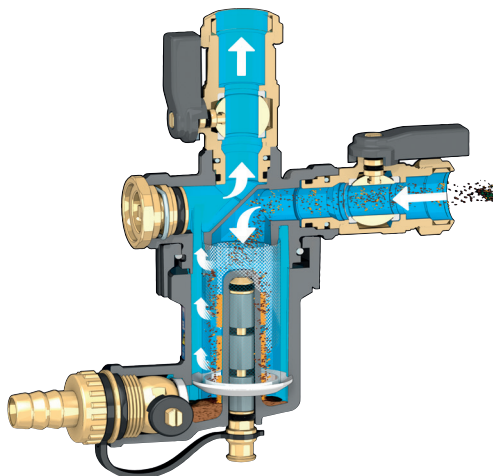


Code	A	B	C	D	E	F	G	Mass (kg)
545022	Ø22	95,5	95,5	85,5	88	200	74,5	1,1

Operating principle

The DIRTMAGMINI® magnetic dirt separator and strainer filters, separates and captures impurities in the system thanks to the combined action of the strainer and dirt separator. Ferrous impurities are also captured inside the body, thanks to the action of a removable magnet. Opening a dedicated cock drains the captured impurities.

The fluid from the system is slowed down, so that the smaller particles that are not stopped by the filter separate and deposit, and are thereby removed from circulation. The special profile of the bottom allows the impurities to be captured and drained effectively.



Construction details

Technopolymer

The dirt separator is made using a polymer specifically selected for heating and cooling system applications. The main features of the technopolymer are:

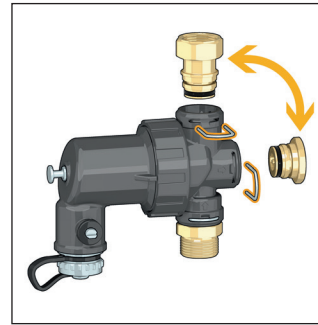
- high strength to strain, while maintaining good ultimate elongation;
- good resistance to crack propagation;
- very low humidity absorption, for consistent mechanical behaviour;
- high resistance to abrasion caused by continuous medium flow;
- performance maintained over temperature variation;
- compatibility with glycols and additives used in circuits.

These basic material characteristics, combined with the appropriate shaping of the most highly stressed areas, enable a comparison with the metals typically used in the construction of dirt separators.

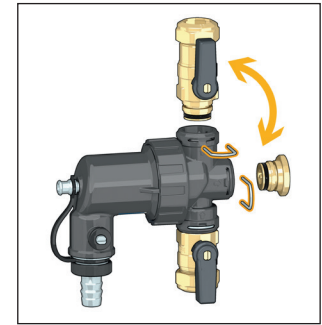
Horizontal or vertical installation

The threaded connections (code 545000) and the Ø 22 ball valves (code 545022) on the DIRTMAGMINI® body are interchangeable and reversible as they have a quick-fit system with fixing clip, making it easy to install the product by turning it to the horizontal or vertical position.

Version with threaded connections (code 545000)

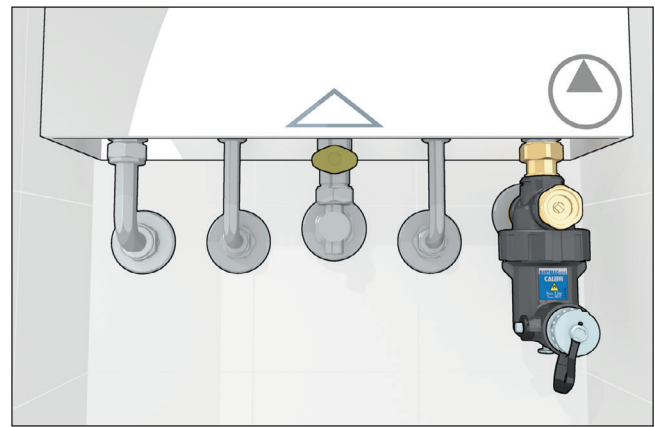


Version with Ø 22 ball valves (code 545022)



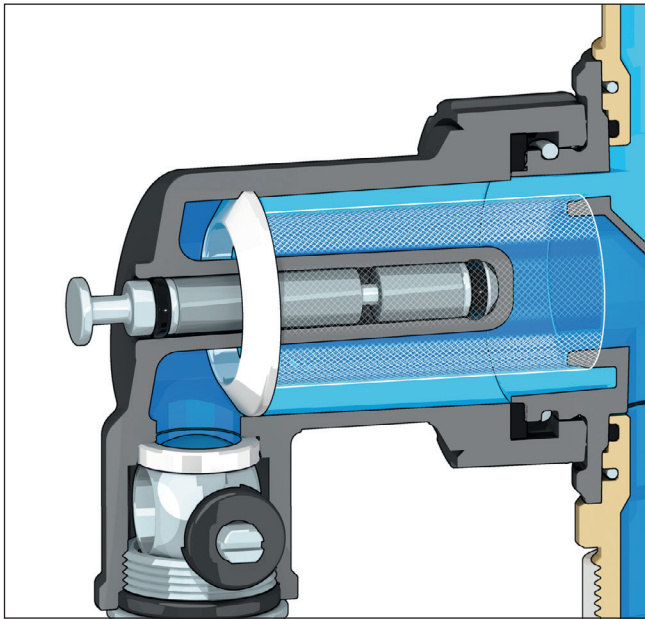
Compact

Thanks to the compactness of the body, the dirt separator can be easily installed in narrow spaces under wall-mounted boilers without the need for additional accessories.

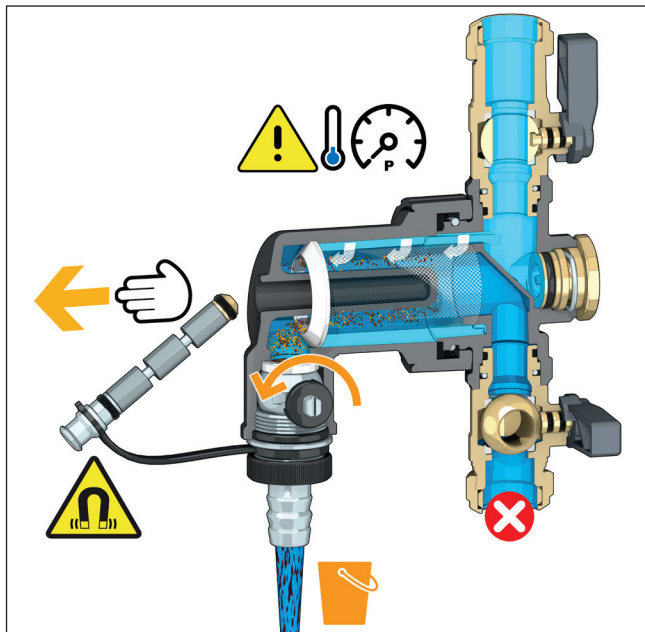


Filtration, dirt separation and self-cleaning

The high performance of the dirt separator is based on the combined action of the strainer and dirt separation function. The strainer mesh, with a mesh size of 800 µm, can capture non-magnetic residues such as sand, soldering residues and residues of sealants such as hemp or silicone. The magnet, which is not in direct contact with the fluid, separates and captures magnetic particles.



It is possible to drain the impurities without disassembling the body, just by removing the magnet and opening the dedicated cock. Only perform this operation when the system is not in operation. A self-cleaning function activates during draining, using the same system water (which is then collected in a dedicated container and disposed of in accordance with the regulations in force) to clean the strainer. For this reason, there is normally no need to open the strainer body to clean it manually, although this may be required during extraordinary maintenance.



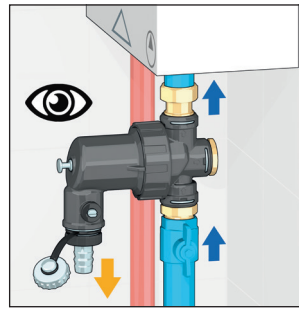
Installation

The magnetic dirt separator should be installed in the return circuit to protect the boiler from all the impurities in the system, especially during start-up. It may be installed either vertically or horizontally, with the drain cock always in a suitable position, in accordance with the flow direction indicated by the arrows on the valve body.

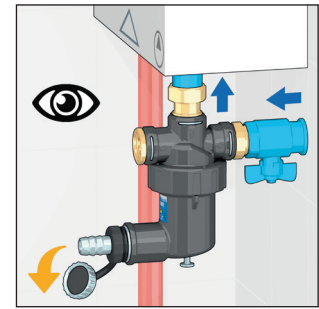
The version with Ø 22 ball valves (code 545022) can be used to shut off the device upstream and downstream, to make maintenance operations easier; for the version with threaded connections (code 545000), on the other hand, suitable shut-off components must be provided.

Version with threaded connections (code 545000)

Installazione in linea

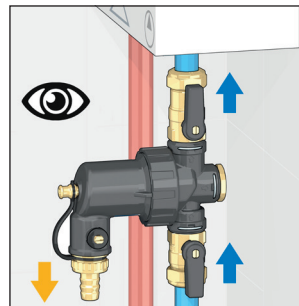


Installazione a squadra

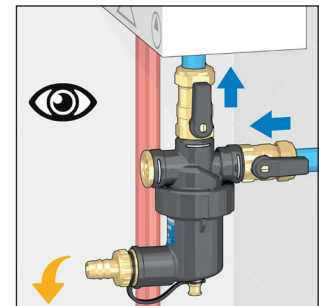


Version with Ø 22 ball valves (code 545022)

In-line installation

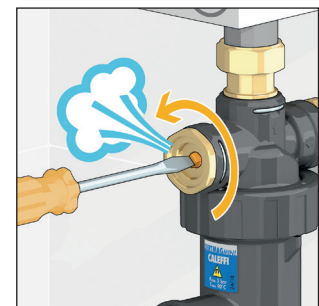
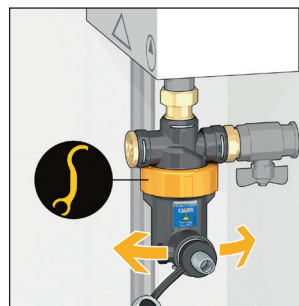


Angled installation



The drain cock can be adjusted by using a wrench (not provided) to loosen the black plastic locking nut.

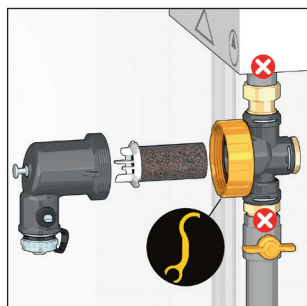
When necessary, it is possible to use the cap with manual air vent to eliminate air inside the strainer.



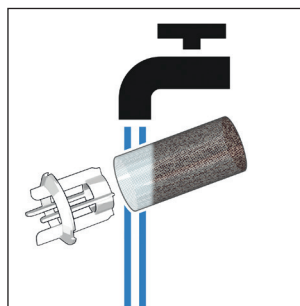
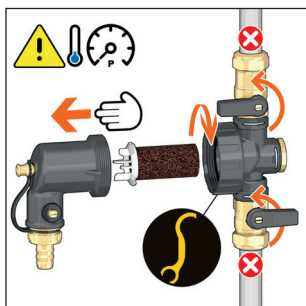
Extraordinary maintenance

When clogged with fibres or large impurities, it is possible to access the inside of the strainer to clean the elements.
Cut off the pipes using suitable shut-off components (code 545000) or using ball valves (code 545022) and remove the bottom part of the body.

Version with threaded connections (code 545000)



Version with ball valves (code 545022)



Thoroughly rinse the strainer element under running water, until all impurities have been completely removed.

TESTO DI CAPITOLATO

Code 545000 DIRTMAGMINI®

Composite dirt separator and strainer with magnet for under-boiler installation. Size DN 20. 3/4" M (ISO 228-1) x 3/4" F (ISO 228-1) connections with captive nuts. Brass drain cock with hose connection. PA66G30 body. Internal elements made of POM/stainless steel EN 10088-2 (AISI304). EPDM hydraulic seals. Medium water and glycol solutions; maximum percentage of glycol 30%. Maximum working pressure 3 bar. Temperature range 0–90°C. Strainer mesh size 800 µm. Magnetic induction of magnet 1,3 T.

Code 545022 DIRTMAGMINI

Composite dirt separator and strainer with magnet and ball valves for under-boiler installation. Connections Ø 22. Brass drain cock with hose connection. PA66G30 body. Internal elements made of POM/stainless steel EN 10088-2 (AISI304). EPDM hydraulic seals. Water and glycol solutions medium; max. percentage of glycol 30 %. Maximum working pressure 3 bar. Working temperature range 0–90 °C. Strainer mesh size 800 µm. Magnetic induction of magnet 1,3 T.

We reserve the right to make changes and improvements to our products and the related technical data in this publication, at any time and without prior notice. The website www.caleffi.com always has the most up-to-date version of the document, which should be used for technical verifications.